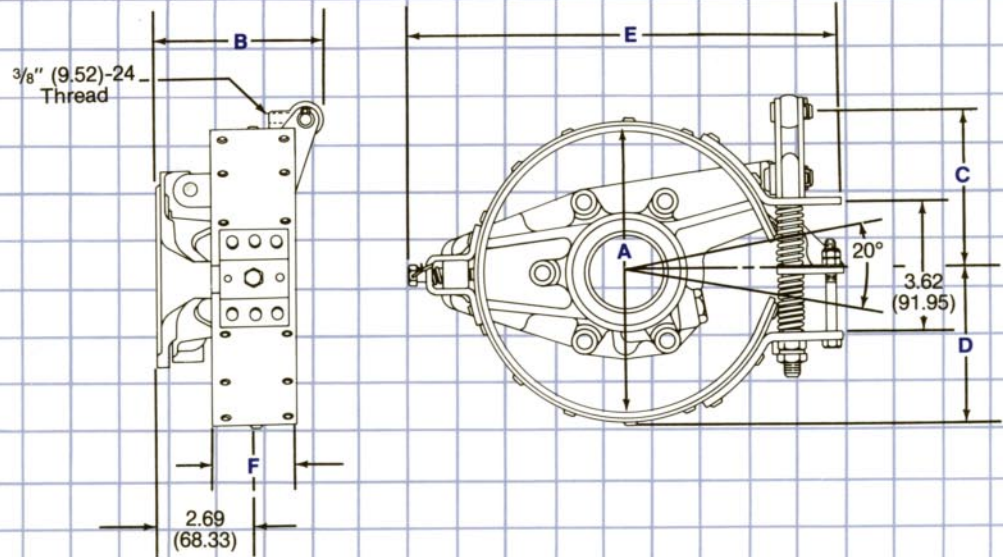
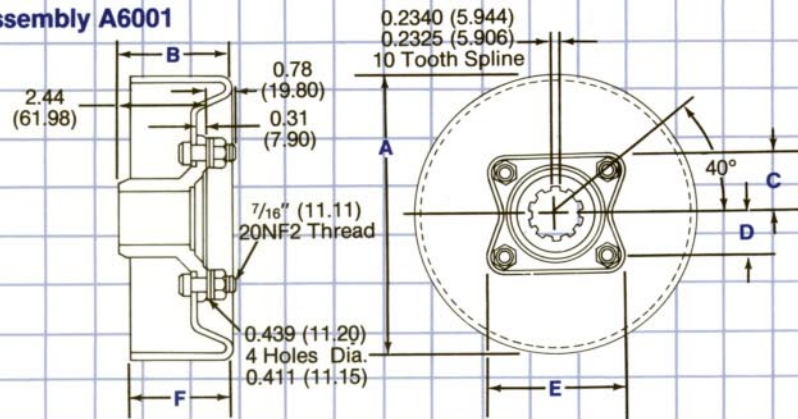


# Parking Brake Option

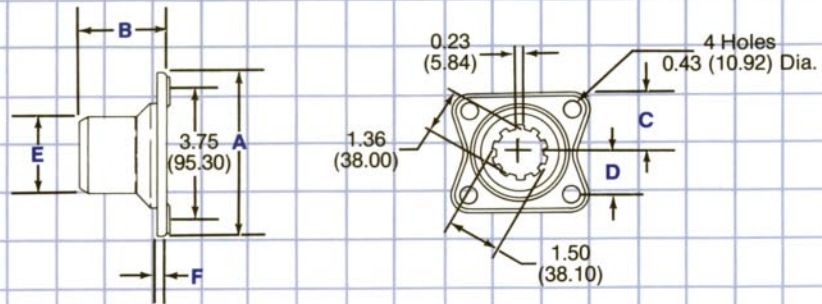
## Parking Brake Kit 13-33-420-001



## Drum and Flange Assembly A6001



## Flange 6001



### Parking Brake Specifications nominal (subject to change without notice)

Part Number	Dia. A	Dim. B	Dim. C	Dim. D	Dim. E	Dim. F
13-33-420-001	8.02 (203.70)	4.78 (121.41)	5.00 (127.00)	4.17 (105.92)	12.08 (306.83)	2.50 (63.50)
A6001	8.00 (203.20)	3.22 (81.79)	1.05 (26.67)	1.57 (39.88)	3.93 (98.82)	2.88 (73.20)
6001	3.93 (98.82)	2.44 (61.98)	1.05 (26.67)	1.57 (39.88)	2.13 (54.10)	0.31 (7.90)