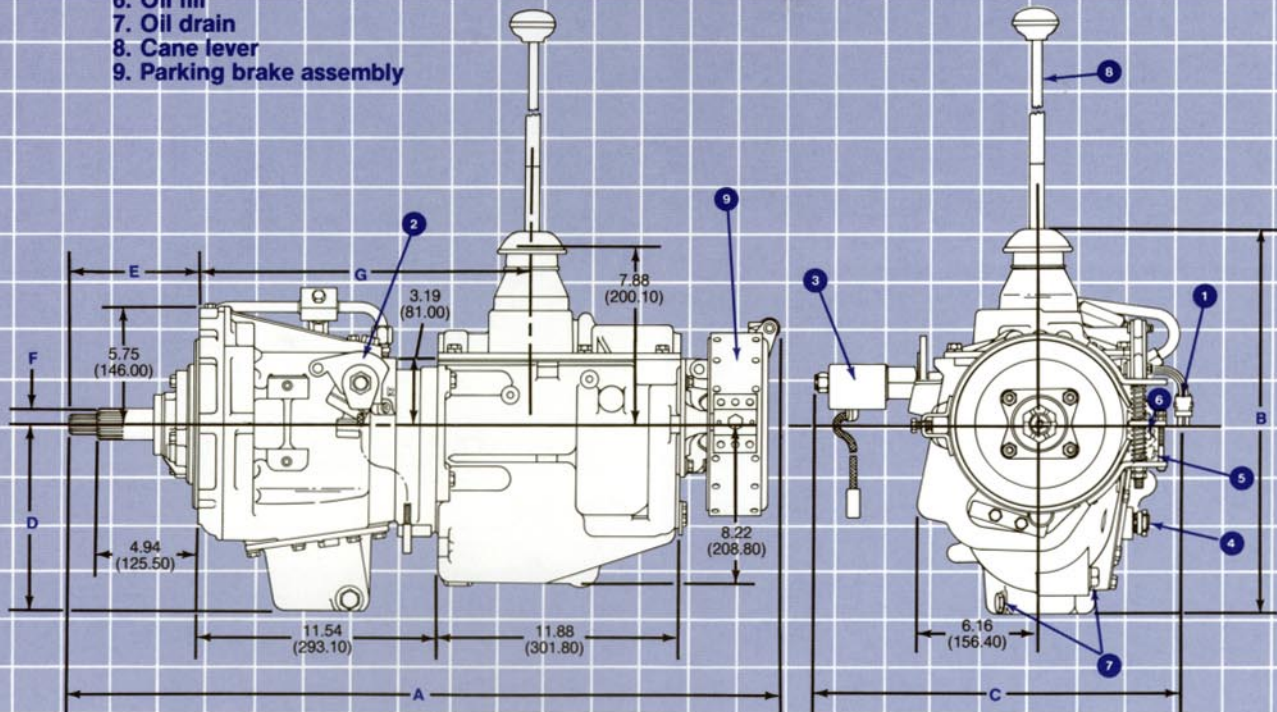


T72/T19 Transmission

1. Neutral start switch
2. Shift lever
3. Clutch dump solenoid
4. Cooler return port
5. To cooler
6. Oil fill
7. Oil drain
8. Cane lever
9. Parking brake assembly



T72/T19 Dimensions inches (millimeters)

Dim. A	Dim. B	Dim. C	Dim. D	Dia. E	Dia. F	Dim. G
33.64 (854.46)	17.07 (433.58)	11.73 (297.94)	9.19 (233.43)	8.248 (209.50)	3.93 (99.82)	16.10 (408.94)

T72 Specifications nominal (subject to change without notice)

Ratio T72	forward 1.00/reverse 1.10
T19 (1st, 2nd, 3rd, 4th)*	forward 6.32, 3.09, 1.68, 1.00 reverse 6.95, 3.40, 1.85, 1.10
Weight (dry, less converter housing)	285 lbs. (129 kg)
Gearing T72	helical planetary gear set
T19	fully synchronized
Clutch operating pressure	120-150 psi (827-1034 kPa)
Converter operating pressure	60-90 psi (414-620 kPa)
Filtration	full-flow pump suction screen

*T72/T18 ratios are identical except for non-synchronized first gear.