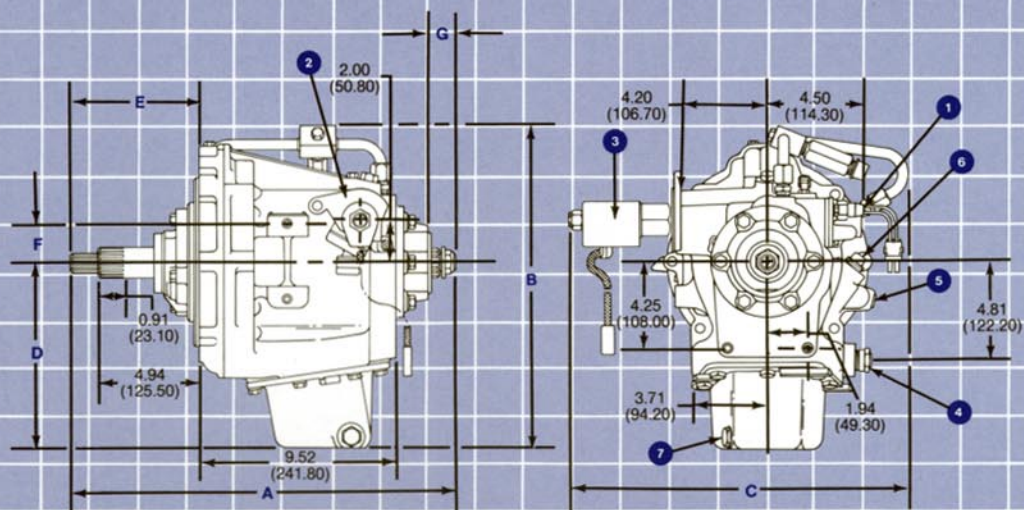


T72 Assembly

1. Neutral start switch
2. Shift Lever
3. Clutch dump solenoid
4. Cooler return port
5. To cooler
6. Oil fill
7. Oil drain



T72 Dimensions inches (millimeters)

Dim. A	Dim. B	Dim. C	Dim. D	Dia. E	Dia. F	Dim. G
18.56 (471.72)	14.94 (379.48)	10.70 (271.78)	9.19 (233.43)	8.248 (209.50)	1.81 (45.97)	1.94 (49.28)

T72 Specifications nominal (subject to change without notice)

Ratio	forward 1.00/reverse 1.10
Weight (dry, less converter housing)	140 lbs. (63.5 kg)
Gearing	planetary gear set
Clutch operating pressure	120-150 psi (827-1034 kPa)
Converter operating pressure	60-90 psi (414-620 kPa)
Filtration	full-flow pump suction screen